

ALUMINUM ELECTROLYTIC CAPACITORS



- Load life 2000 hours at 85°C
- Snap-in terminals(4 pins), High reliability

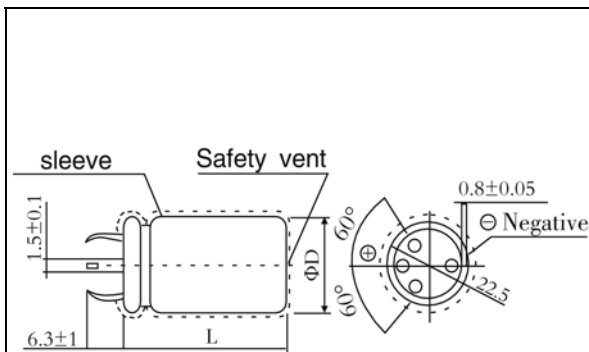
■ SPECIFICATIONS

Item	Characteristics							
Operating Temperature Range(°C)	-40~+85	-25~+85						
Rated Voltage Range (V)	10~100	160~450						
Nominal capacitance range (μF)	1800~82000	180~2200						
Capacitance Tolerance(20°C,120Hz)	±20%							
Leakage current (μA)	I≤0.01CV(μA) or 1.5mA whichever is smaller,(at 20°C ,after 5 minutes) C: Nominal Capacitance (μF) V: Rated Voltage (V)							
Dissipation Factor(20°C,120Hz)	Rated voltage (v)	10~16	25	35~50	63	80~100		
	Cap (μF)							
	≤2700	-	-	0.20	0.15	0.15		
	3300~4700	-	0.35	0.25	0.20	0.15		
	5600~6800	0.40	0.35	0.30	0.20	0.20		
	≥8200	0.40	0.35	0.35	0.25	-		
	Rated voltage (v)	160~200		250~450				
	ΦD =35mm	0.12		0.15				
Temperature Stability(120Hz)	Rated voltage (v)	10	16~35	50~100	160~200	250~400	450	
	Impedance	Z-25°C/Z+20°C	5	4	3	3	4	4
	Ratio	Z-40°C/Z+20°C	18	15	10	6	8	-
Load Life(+85°C)	Time	2000 hours						
	Leakage Current	Not more than the specified value.						
	Capacitance Change	Within ±20% of the initial value.						
	Dissipation Factor	Not more than 200% of the specified value.						
Shelf Life(+85°C)	Time	500 hours						
	Leakage Current	Not more than the specified value.						
	Capacitance Change	Within ±20% of the initial value.						
	Dissipation Factor	Not more than 200% of the specified value.						
After test: Rated voltage to be applied for 60 minutes, 24 to 48 hours before measurement.								

■ DIMENSIONS

MM

■ MULTIPLIER FOR RIPPLE CURRENT



Frequency coefficient

Freq (Hz)	50	120	1K	10K	20K
Rated Voltage(V)					
≤50	0.95	1	1.10	1.15	1.15
63~100	0.95	1	1.16	1.30	1.33
≥160	0.95	1	1.20	1.50	1.55

Temperature coefficient

Temperature(°C)	+40	+55	+70	+85
Rated voltage(V)				
<160	2.1	1.8	1.5	1
≥160	1.7	1.5	1.3	1

■ STANDARD RATINGS

WV(V)	10		16		25		35		50		63		80		100	
ΦDxL(mm)	Cap	Ripple	Cap	Ripple	Cap	Ripple	Cap	Ripple	Cap	Ripple	Cap	Ripple	Cap	Ripple	Cap	Ripple
	μF	(A)	μF	(A)	μF	(A)	μF	(A)	μF	(A)	μF	(A)	μF	(A)	μF	(A)
35x25	33000	4.8	22000	4.4	15000	3.9	8200	2.9	5600	2.6	3900	2.7	2700	2.5	1800	2.2
35x30	47000	6.0	33000	5.6	18000	4.4	12000	3.6	8200	3.0	5600	3.3	3900	3.2	2200	2.5
35x35	56000	6.8	39000	6.3	22000	5.0	15000	4.1	10000	3.4	6800	3.7	4700	3.6	3300	3.1
35x40	68000	7.7	47000	7.2	33000	6.5	18000	4.7	12000	3.8	8200	3.8	5600	3.5	3900	3.4
35x45	82000	8.7	56000	8.0	39000	7.5	22000	5.3	-	-	10000	4.3	-	-	-	-
35x50	-	-	-	-	-	-	27000	7.0	15000	4.5	12000	4.8	6800	4.1	4700	4.0

WV(V)	160		180		200		250		315		350		400		450	
ΦDxL(mm)	Cap	Ripple	Cap	Ripple	Cap	Ripple	Cap	Ripple	Cap	Ripple	Cap	Ripple	Cap	Ripple	Cap	Ripple
	μF	(A)	μF	(A)	μF	(A)	μF	(A)	μF	(A)	μF	(A)	μF	(A)	μF	(A)
35x25	820	2.4	680	2.2	560	2.0	470	2.4	270	1.3	220	1.3	180	1.2	180	1.2
35x30	1000	2.7	820	2.5	820	2.5	680	2.6	390	1.6	330	1.6	270	1.5	220	1.3
35x35	1200	3.0	1200	3.1	1000	2.8	820	2.6	470	1.8	390	1.8	330	1.7	270	1.5
35x40	1500	3.5	-	-	1200	3.2	1000	3.0	560	2.0	470	2.0	390	1.8	-	-
35x45	1800	3.9	1500	3.6	-	-	1200	3.4	680	2.3	560	2.3	470	2.1	390	1.9
35x50	2200	4.5	1800	4.1	1500	3.8	-	-	-	-	680	2.6	560	2.3	470	2.2

■ Ripple current: 85°C, 100Hz or 120Hz

The specific capacitance and case size are available on request.